

# TUĞRA

**TGR 1832 (4x2) L**  
ROAD TRUCK



**BMC**

**TURQUALITY®**

## CABIN

### TYPE

Day Cab

### CAB SUSPENSION

Mechanical

## ENGINE

### BRAND / MODEL

Cummins ISB6.7E (Euro 6)

### TYPE

Turbo Intercooler Diesel

### NUMBER OF CYLINDERS

6

### DISPLACEMENT

6.7 L

### MAXIMUM POWER

320 PS (239 kW) @ 2300 rpm

### MAXIMUM TORQUE

1200 Nm @ 1100 rpm

### DIAMETER & STROKE

107 mm / 124 mm

## TANKS

### FUEL TANK CAPACITY

405 L

### ADBLUE TANK CAPACITY

74 L

## GEAR BOX

### BRAND / MODEL

ZF 9 S 1310 TD (Manual)

### NUMBER OF GEARS

9 Forward, 1 Reverse

### GEAR RATIO

12.73 - 1.00 (Reverse: 12.04)

### CLUTCH

430 mm, Single Disc

## AXLES

### FRONT AXLE

### LOAD CAPACITY

7500 kg

### REAR AXLE

### Diff. Number of Speeds

Single Speed

### Gear Ratio

4.33:1

### LOAD CAPACITY

13000 kg

## SUSPENSION

### FRONT AXLE

Semi-elliptical Springs, Telescopic Shock Absorbers

### REAR AXLE

Compensating Mechanism Semi-elliptical Springs, Telescopic Shock Absorbers

### ANTI-ROLL BAR

Rear (2nd) and Front (1st) Axles

## TYRES

### SIZE / NUMBER

315 / 80 R 22.5, 6+1 [S]

315 / 70 R 22.5, 6+1 [O]

315 / 60 R 22.5, 6+1 [O]

## RIMS

### SIZE

9 x 22.5

## PERFORMANCE

### TOP SPEED (LIMITED) (km/h)

90

### TURNING RADIUS (m)

7.2

## ELECTRICAL SYSTEM

### VOLTAGE

24 V

### BATTERIES

2 x 12 V / 180 Ah

### ALTERNATOR

120 A

### STARTER MOTOR

24 V

## STEERING SYSTEM

### TYPE

Hydraulic

## BRAKE SYSTEM

### BRAKE SYSTEM TYPE

Air Operated Dual Circuit Type Disc Brakes, EBS, ESC, AEBS, LDWS

### RETARDER TYPE

Electromagnetic (360 kW) [O]

## CHASSIS

### CHASSIS PROFILE

Steel, 8mm

## STANDARD ACCESSORIES

Manually Operated Digital Air Conditioner (6 kW)

Radio/MP3/Bluetooth (1DIN)

2 USB + Cigarette Lighter (Driver Side)

2 USB + 12V (Passenger Side), 1 USB (Multimedia)

4 Points Independent Mechanic Cab Suspension

Cruise Control

Electrically Operated and Heated Side Mirrors

Adjustable Steering Column

Manually Operated Sunroof

Electronic Brake System (EBS)

Electronic Stability Control (ESC)

Lane Departure Warning System (LDWS)

Immobilizer

Single Key with Remote Control and Central Locking

Differential Lock

Digital Tachograph

Electrically Operated Windows

Air Suspended Driver Seat

Seat Headrest

Seatbelt Sensor (Driver)

Driver and Passenger Sun Visor

Hill-holder Assist

Adjustable Driver Seat Armrest

Pad Wear Indicator

Active Emergency Brake System (AEBS)

Spare Wheel

Front Fog Lamps

Electrically Operated Headlight Leveling

1 (Driver) + 2 (Passenger) Seat Configuration

Lamp Under Hood

Lamp under Cab

Tyre Inflation Valve

## OPTIONAL ACCESSORIES

7" Multimedia Display

Driver Seat with Air Operated Back Support

Heated Driver Seat

Adjustable Passenger Seat Armrest [3]

Fleet Management System Socket and Module

4 Points Independent Air Cab Suspension

Electric Cab Lift

Aluminum Rim

Electrically Operated Sunroof

Tire Pressure Monitoring System

ADR Package

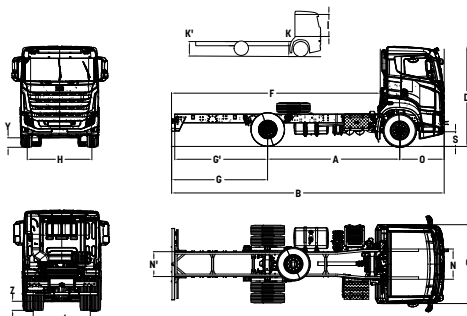
Retarder

Front Dust Protection

315/60 Tyre Option

315/70 Tyre Option

Transmission PTO



## DIMENSIONS (mm)

|                                      |                      |                      |      |
|--------------------------------------|----------------------|----------------------|------|
| A: Wheelbase                         | 4250                 | H: Front Track       | 2083 |
| B: Overall Length                    | 8790                 | J: Rear Track        | 1838 |
| C: Overall Width (Excluding Mirrors) | 2545                 | S: First Step Height | 505  |
| D: Overall Height                    | 3280                 | R: Inner Width       | 2155 |
| F: Useful Chassis Length             | 6643                 | K: Chassis height    | 1182 |
| I: Inner Height                      | 1670                 |                      |      |
|                                      | (Tunnel Height: 190) |                      |      |
| O: Front Overhang                    | 1440                 |                      |      |
| G: Rear Overhang                     | 2990                 |                      |      |

## WEIGHTS (kg)

|                                  | TECHNICAL | LEGAL | KERB WEIGHTS (kg) |
|----------------------------------|-----------|-------|-------------------|
| MAXIMUM WEIGHT LOADED FRONT AXLE | 7500      | 7500  | 1. AXLE 4245      |
| MAXIMUM WEIGHT LOADED REAR AXLE  | 13000     | 11500 | 2. AXLE 2453      |
| GROSS VEHICLE WEIGHT             | 18000     | 18000 | TOTAL 6698*       |

\*For kerb weight calculation, minimum equipment, no driver, 20 liters of fuel, 5 liters of urea included. Kerb weight may change depends on optional equipments.

Y250 Z255 (Loaded)

[O]: Options [S]: Standard

All visuals, dimensions, characteristics and equipment are for information purposes only they are not contractual. BMC reserves the right to modify them without prior warning (February 2021).

## BMC OTOMOTİV SANAYİ VE TİCARET A.Ş.

Fabrika, Satış ve Pazarlama Kemalpaşa Caddesi No:288 Pınarbaşı 35060 Bornova / İZMİR TÜRKİYE

444 9 262

bmctugra.com