

# TUĞRA

**TGR 1832 (4x2) S**  
ROAD TRUCK



# BMC

**TURQUALITY**®

## CABIN

### TYPE

Day Cab

### CAB SUSPENSION

Mechanical

## ENGINE

### BRAND / MODEL

Cummins ISB6.7 (Euro 6)

### TYPE

Turbo Intercooler Diesel

### NUMBER OF CYLINDERS

6

### DISPLACEMENT

6.7 L

### MAXIMUM POWER

320 PS (239 kW) @ 2300 rpm

### MAXIMUM TORQUE

1200 Nm @ 1100 rpm

### DIAMETER & STROKE

107 mm / 124 mm

## TANKS

### FUEL TANK CAPACITY

300 L

### ADBLUE TANK CAPACITY

74 L

## GEAR BOX

### BRAND / MODEL

ZF 9 S 1310 TD (Manual)

### NUMBER OF GEARS

9 Forward, 1 Reverse

### GEAR RATIO

12.73 - 1.00 (Reverse: 12.04)

### CLUTCH

430 mm, Single Disc

## AXLES

### FRONT AXLE

### LOAD CAPACITY

7500 kg

### REAR AXLE

### Diff. Number of Speeds

Single Speed

### Gear Ratio

4.63:1

### LOAD CAPACITY

13000 kg

## SUSPENSION

### FRONT AXLE

Semi-elliptical Springs, Telescopic Shock Absorbers

### REAR AXLE

Compensating Mechanism Semi-elliptical Springs, Telescopic Shock Absorbers

### ANTI-ROLL BAR

Rear (2nd) and Front (1st) Axles

## TYRES

### SIZE / NUMBER

315 / 80 R 22.5, 6+1

## RIMS

### SIZE

9 x 22.5

## PERFORMANCE

### TOP SPEED (LIMITED) (km/h)

90

### TURNING RADIUS (m)

6.7

## ELECTRICAL SYSTEM

### VOLTAGE

24 V

### BATTERIES

2 x 12 V / 180 Ah

### ALTERNATOR

120 A

### STARTER MOTOR

24 V

## STEERING SYSTEM

### TYPE

Hydraulic

## BRAKE SYSTEM

### BRAKE SYSTEM TYPE

Air Operated Dual Circuit Type

Ø410x200 Z-Cam Disc Brakes, EBS, ESC, AEBS, LDWS

### ENGINE BRAKE

Engine Brake

## CHASSIS

### CHASSIS PROFILE

Steel, 8mm

## STANDARD ACCESSORIES

Manually Operated Digital Air Conditioner (6 kW)

Radio/MP3/Bluetooth (1DIN)

2 USB + Cigarette Lighter (Driver Side)

2 USB + 12V (Passenger Side), 1 USB (Multimedia)

4 Points Independent Mechanic Cab Suspension

Cruise Control

Electrically Operated and Heated Side Mirrors

Adjustable Steering Column

Manually Operated Sunroof

Electronic Brake System (EBS)

Electronic Stability Control (ESC)

Lane Departure Warning System (LDWS)

Immobilizer

Single Key with Remote Control and Central Locking

Differential Lock

Digital Tachograph

Electrically Operated Windows

Air Suspended Driver Seat

Seat Headrest

Seatbelt Sensor (Driver)

Driver and Passenger Sun Visor

Hill-holder Assist

Adjustable Driver Seat Armrest

Pad Wear Indicator

Active Emergency Brake System (AEBS)

Spare Wheel

Front Fog Lamps

Electrically Operated Headlight Leveling

1 (Driver) + 2 (Passenger) Seat Configuration

Lamp Under Hood

Lamp under Cab

Tyre Inflation Valve

Body Structure Module

Transmission PTO

Front Dust Protection

## OPTIONAL ACCESSORIES

7" Multimedia Display

Driver Seat with Air Operated Back Support

Heated Driver Seat

Adjustable Passenger Seat Armrest [3]

Fleet Management System Socket and Module

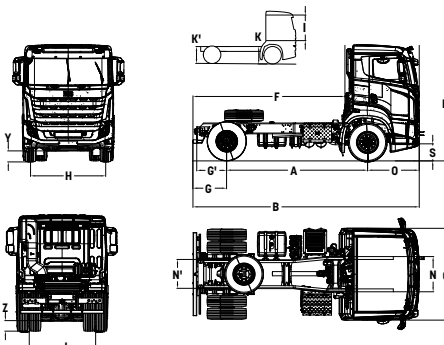
4 Points Independent Air Cab Suspension

Electric Cab Lift

Aluminum Rim

Electrically Operated Sunroof

Tire Pressure Monitoring System



## DIMENSIONS (mm)

A: Wheelbase	3900	H: Front Track	2083
B: Overall Length	6255	J: Rear Track	1838
C: Overall Width (Excluding Mirrors)	2545	S: First Step Height	505
D: Overall Height	3280	R: Inner Width	2155
F: Useful Chassis Length	4105	K: Chassis Height	1151
I: Inner Height	1670		
	(Tunnel Height: 190)		
O: Front Overhang	1440		
G: Rear Overhang	805		

## WEIGHTS (kg)

	TECHNICAL	LEGAL	KERB WEIGHTS (kg)	
MAXIMUM WEIGHT LOADED FRONT AXLE	7500	7500	1. AXLE	4375
MAXIMUM WEIGHT LOADED REAR AXLE	13000	11500	2. AXLE	2583
GROSS VEHICLE WEIGHT	18000	18000	TOTAL	6958*

\*For kerb weight calculation, minimum equipment, no driver, 20 liters of fuel, 5 liters of urea included. Kerb weight may change depends on optional equipments.

[Y] 258 Z 237 (Loaded)

[O]: Options [S]: Standard

All visuals, dimensions, characteristics and equipment are for information purposes only they are not contractual. BMC reserves the right to modify them without prior warning (February 2021).

## BMC OTOMOTİV SANAYİ VE TİCARET A.Ş.

Fabrika, Satış ve Pazarlama Kemalpaşa Caddesi No:288 Pınarbaşı 35060 Bornova / İZMİR TÜRKİYE

444 9 262

bmctugra.com