

# TUĞRA

**TGR 2532 (6x2) WBL**  
ROAD TRUCK



# BMC

**TURQUALITY®**

## CABIN

### TYPE

Day Cab

### CAB SUSPENSION

Mechanic

## ENGINE

### BRAND / MODEL

Cummins ISB6.7 (Euro 6)

### TYPE

Turbo Intercooler Diesel

### NUMBER OF CYLINDERS

6

### DISPLACEMENT

6.7 L

### MAXIMUM POWER

320 PS (239 kW) @ 2300 rpm

### MAXIMUM TORQUE

1200 Nm @ 1100 rpm

### DIAMETER & STROKE

107 mm / 124 mm

## TANKS

### FUEL TANK CAPACITY

500 L

### ADBLUE TANK CAPACITY

74 L

## GEAR BOX

### BRAND / MODEL

ZF 9 S 1310 TD (Manual)

### NUMBER OF GEARS

9 Forward, 1 Reverse

### GEAR RATIO

12.73 - 1.00 (Reverse: 12.04)

### CLUTCH

430 mm, Single Disc [S]

## AXLES

### FRONT AXLE

### LOAD CAPACITY

7500 kg

### REAR AXLE

Diff. Number of Speeds

Single Speed

### Gear Ratio

4.33:1

### LOAD CAPACITY

13000 kg

### TAG AXLE

### LOAD CAPACITY

9000 kg

## SUSPENSION

### FRONT AXLE

Semi-elliptical Springs, Telescopic Shock Absorbers

### REAR AXLE

Compensating Mechanism Semi-elliptical Springs, Telescopic Shock Absorbers

### ANTI-ROLL BAR

Rear (2nd) and Front (1st) Axles

## TYRES

### SIZE / NUMBER

315 / 80 R 22.5, 10+1 [S]

315 / 70 R 22.5, 6+1 [O]

315 / 60 R 22.5, 6+1 [O]

## RIMS

### SIZE

9 x 22.5

## PERFORMANCE

### TOP SPEED (LIMITED) (km/h)

90

### TURNING RADIUS (m)

8.2

## ELECTRICAL SYSTEM

### VOLTAGE

24 V

### BATTERIES

2 x 12 V / 180 Ah

### ALTERNATOR

120 A

### STARTER MOTOR

24 V

## STEERING SYSTEM

### TYPE

Hydraulic

## BRAKE SYSTEM

### BRAKE SYSTEM TYPE

Air Operated Dual Circuit Type Disc Brakes, EBS, ESC, AEBS, LDWS

### RETARDER TYPE

Electromagnetic (475 kW) [O]

### ENGINE BRAKE

Engine Brake

## CHASSIS

### CHASSIS PROFILE

Steel, 8mm

## STANDARD ACCESSORIES

Manually Operated Digital Air Conditioner (6 kW)

Radio/MP3/Bluetooth (1DIN)

2 USB + Cigarette Lighter (Driver Side)

2 USB + 12V (Passenger Side), 1 USB (Multimedia)

4 Points Independent Air Cab Suspension

Cruise Control

Electrically Operated and Heated Side Mirrors

Adjustable Steering Column

Mechanically Operated Sunroof

Electronic Brake System (EBS)

Electronic Stability Control (ESC)

Lane Departure Warning System (LDWS)

Immobilizer

Single Key with Remote Control and Central Locking

Differential Lock

Digital Tachograph

Electrically Operated Windows

Air Suspended Driver Seat

Adjustable Driver Seat Armrest

Seat Headrest

Seatbelt Sensor (Driver)

Driver and Passenger Sun Visor

Active Emergency Brake System (AEBS)

Spare Wheel

Front Fog Lamps

Electrically Operated Headlight Leveling

Lamp Under Hood

Lamp Under Cab

Tyre Inflation Valve

Body Structure Module

Pad Wear Indicator

1 (Driver) + 2 (Passenger) Seat Configuration

Hill-holder Assist

Tag Axle Lifting System

## OPTIONAL ACCESSORIES

7" Multimedia Display

ADR Package

Retarder

Refrigerator (55lt)

Driver Seat with Air Operated Back Support

Heated Driver Seat

Adjustable Passenger Seat Armrest

Fleet Management System Socket and Module

Roof Spoiler

Tire Pressure Monitoring System

Electric Cab Lift

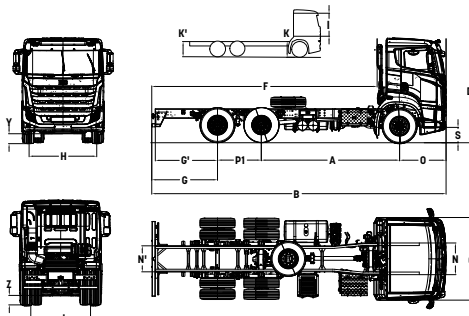
Aluminum Rim

Transmission PTO

Front Dust Protection

315/60 Tyre Option

315/70 Tyre Option



## DIMENSIONS (mm)

A: Wheelbase	4250	H: Front Track	2083
B: Overall Length	9065	J: Rear Track	1838
C: Overall Width (Excluding Mirrors)	2545	S: First Step Height	525
D: Overall Height	3300	R: Inner Width	2155
F: Useful Chassis Length	6921	K: Chassis Height	1166
I: Inner Height	1670	Pt: 2. and 3. Axle Distance	1350
	(Tunnel Height: 190)		
O: Front Overhang	1440		
G: Rear Overhang	1915		

## WEIGHTS (kg)

	TECHNICAL	LEGAL	KERB WEIGHTS (kg)	
MAXIMUM WEIGHT LOADED FRONT AXLE	7500	7500	1. AXLE	4383
MAXIMUM WEIGHT LOADED REAR AXLE	13000+9000	10500+7500	2. AXLE	2078
GROSS VEHICLE WEIGHT	25000	25000	3. AXLE	1453
			TOTAL	7914*

\*For kerb weight calculation, minimum equipment, no driver, 20 liters of fuel, 5 liters of urea included. Kerb weight may change depends on optional equipments.

Y247 Z256 (Loaded)

[O] Options [S] Standard

All visuals, dimensions, characteristics and equipment are for information purposes only they are not contractual. BMC reserves the right to modify them without prior warning (February 2021).

## BMC OTOMOTİV SANAYİ VE TİCARET A.Ş.

Fabrika, Satış ve Pazarlama Kemalpaşa Caddesi No:288 Pınarbaşı 35060 Bornova / İZMİR TÜRKİYE

444 9 262

bmcugra.com