

# TUĞRA

**TGR 3540 (6x4) DXD**  
CONSTRUCTION TRUCK



# BMC

**TURQUALITY®**

## CABIN

### TYPE

Day Cab

### CAB SUSPENSION

Mechanic

## ENGINE

### BRAND / MODEL

Cummins SL9E6E (Euro 6)

### TYPE

Turbo Intercooler Diesel

### NUMBER OF CYLINDERS

6

### DISPLACEMENT

8.9 L

### MAXIMUM POWER

400 PS (298 kW) @ 2100 rpm

### MAXIMUM TORQUE

1700 Nm @ 1400 rpm

### DIAMETER & STROKE

114 mm / 145 mm

## TANKS

### FUEL TANK CAPACITY

300 L

### ADBLUE TANK CAPACITY

74 L

## GEAR BOX

### BRAND / MODEL

ZF 12 TX 1815 T0 (Automatic) (S)

ZF 12 TX 1815 T0 (Automatic + Intarder) (O)

### NUMBER OF GEAR

12 Forward, 2 Reverse

### GEAR RATIO

12,92:1 ; 0,77:1 (Reverse: 13;11 / 10,12:1)

### CLUTCH

430 mm // (17") Single Disc

## AXLES

### FRONT AXLE

### LOAD CAPACITY

900 kg

### REAR AXLE

### Gear Ration

5,41:1

### LOAD CAPACITY

16000 + 16000 kg

## SUSPENSION

### FRONT AXLE

100 mm Parabolic Leaf Springs,  
Telescopic Shock Absorbers

### REAR AXLE

Reverse Parabolic Tandem Springs

### ANTI-ROLL BAR

Rear (3rd) and Front (1st) Axles

## TYRES

### SIZE / NUMBER

315 / 80 R 22.5, 10+1 (S)

13 R22.5, 10+1 (O)

## RIMS

### SIZE

9 X 22.5

## PERFORMANCE

### TOP SPEED (LIMITED) (km/h)

90

### TURNING RADIUS (m)

8.0

## ELECTRICAL SYSTEM

### VOLTAGE

24 V

### BATTERIES

2 x 12 V / 180 Ah

### ALTERNATOR

120 A

### STARTER MOTOR

24 V

## STEERING SYSTEM

### TYPE

Hydraulic

## BRAKE SYSTEM

### BRAKE SYSTEM TYPE

Air Operated Dual Circuit Type  
Ø410x200 Z-Cam Drum Brakes, ABS, ASR

### RETARDER TYPE

Intarder (600 kW) (O)

### ENGINE BRAKE

252 kW (S)

## CHASSIS

### CHASSIS PROFILE

Steel, 8mm+5mm (Reinforced)

## STANDARD ACCESSORIES

Manually Operated Digital Air Conditioner (6 kW)

Radio/MP3/Bluetooth

2 USB + Cigarette Lighter (Driver Side)

2 USB + 12V (Passenger Side), 1 USB (Multimedia)

4 Points Independent Mechanic Cab Suspension

Cruise Control

Electrically Operated and Heated Side Mirrors

Adjustable Steering Column

Manually Operated Sunroof

Antilock Braking System (ABS)

Anti Slip Regulation (ASR)

Immobilizer

Single Key with Remote Control and Central Locking

Differential Lock

Digital Tachograph

Electrically Operated Windows

Air Suspended Driver Seat

Adjustable Driver Seat Armrest

Seat Headrest

Seatbelt Sensor (Driver)

Driver and Passenger Sun Visor

Spare Wheel

Front Fog Lamps

Electrically Operated Headlight Leveling

Front Dust Protection

Transmission PTO

Lamp Under Hood

Lamp Under Cab

Tyre Inflation Valve

Front Light Protection

Body Structure Module

## OPTIONAL ACCESSORIES

7" Multimedia Display

Driver Seat with Air Operated Back Support

Heated Driver Seat

Adjustable Passenger Seat Armrest

Fleet Management System Socket and Module

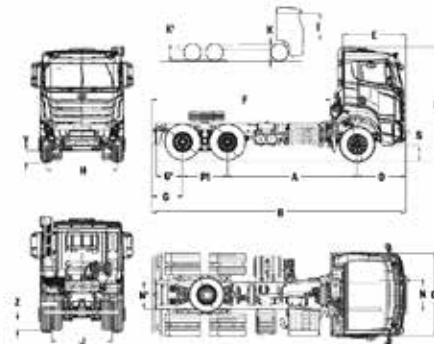
Intarder (600 kW)

Electric Cab Lift

Tire Pressure Monitoring System

Single Type Clutch System

Engine PTO - REPTO



## DIMENSIONS (mm)

A: Wheelbase	3900	H: Front Track	2120
B: Overall Length	7855	J: Rear Track	1847
C: Overall Width (Excluding Mirrors)	2550	S: First Step Height	315/80/R22,5: 518 13/R22,5: 540
D: Overall Height	315/80/R 22,5: 3480 13R/22,5: 3502	R: Inner Width	2155
F: Useful Chassis Length	5245	K': Chassis Height	315/80/R22,5: 1173 13/R22,5: 1194
I: Inner Height	1670	PI: 2. and 3. Axle Distance	1350
O: Front Overhang	1500		
G': Rear Overhang	805		

## WEIGHTS (kg)

	TECHNICAL	LEGAL	KERB WEIGHTS (kg)
MAXIMUM WEIGHT LOADED FRONT AXLE	8000	7500	1. AXLE 4950
MAXIMUM WEIGHT LOADED REAR AXLE	13400+13400	9500+9500	2. AXLE 2390
GROSS VEHICLE WEIGHT	34800	26000	3. AXLE 2280
			TOTAL 9620*

\*For Kerb weight calculation, minimum equipment, no driver, 20 liters of fuel, 5 liters of urea included. Kerb weight may change depends on optional equipments. Y325 Z267 (Loaded)

(O) Options (S) Standard

BMC reserves the right to change the technical specifications of the products without prior notice (April 2024)

## BMC OTOMOTİV SANAYİ VE TİCARET A.Ş.



Kemalpaşa Caddesi No:288 Pınarbaşı 35060 Bornova / İZMİR TÜRKİYE



444 9 262



www.bmc.com.tr